



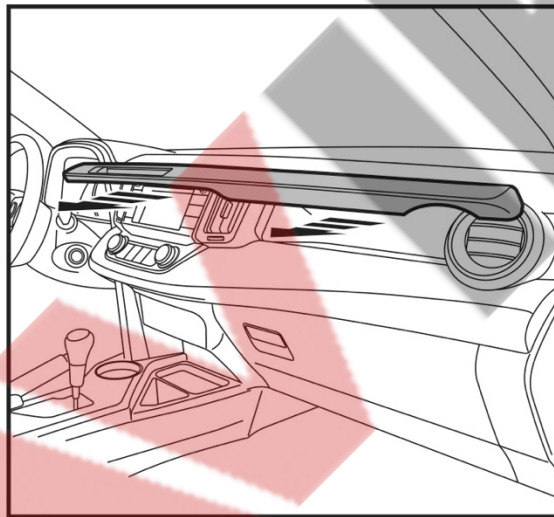
## Toyota RAV4 2014 - 2018

**\*\*Before you begin installing the NAVIKS unit please make sure the negative battery terminal is disconnected and the parking brake is engaged.\*\***

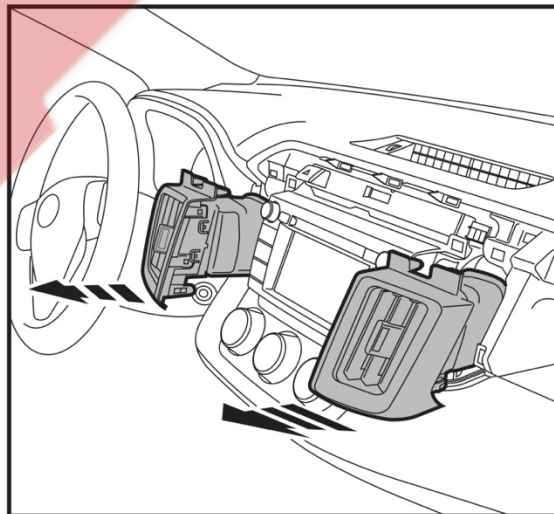
### CAUTION

Wait at least 90 seconds after disconnecting the cable from the negative (-) battery terminal to prevent airbag and seat belt pre-tensioner activation.

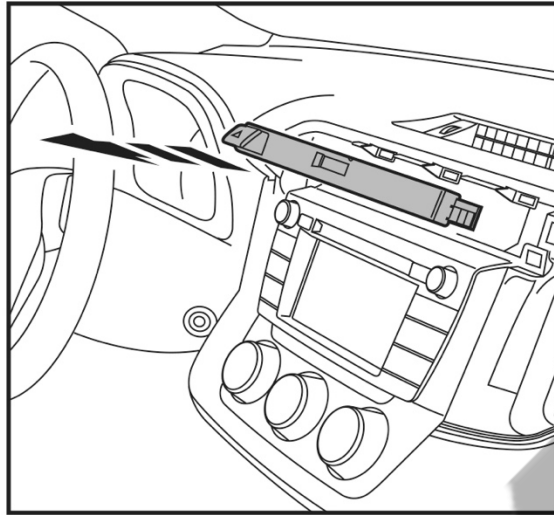
**Read entire manual before starting the installation.**



Pry out upper dash trim panel.



Pry out left and right AC air vents.



Pry out hazard switch panel.  
Unfasten **two (2)** 10mm bolts, **two** on each side of the radio unit.

**Plug & Play Connection: Disconnect & Reconnect in the order below**

1. Disconnect OEM **10-pin power plug** behind the radio.
2. Disconnect OEM **24-pin plug** behind the radio.
3. Disconnect OEM **28-pin plug** behind the radio.
4. Combine OEM **24-pin** plug with provided **24-ping** plug.
5. Combine OEM **28-pin** plug with provided **28-ping** plug.
6. Combine OEM **10-pin power plug** with provided **10-ping** plug.
7. Connect remaining male ends of provided plug & play harness to the radio.
8. TEST.
9. Reassemble in reverse order.

**Dip switch setting comes preselected occasional a different setting is needed.**

**Try each other options if preselected option does not work.**

**Disconnet OEM 10-pin male power plug from female plug on the plug & play harness.**

**Wait 5 minutes with power plug disconnected between changes.**

	Switch 1	Switch 2	Switch 3	Switch 4	Switch 5	Switch 6
Option #1	OFF	OFF	OFF	OFF	OFF	<b>ON</b>
Option #2	OFF	OFF	<b>ON</b>	OFF	OFF	<b>ON</b>
Option #3	OFF	OFF	OFF	<b>ON</b>	OFF	<b>ON</b>

**Dip switch setting comes preselected occasional a different setting is needed.**

**Try each other options if preselected option does not work.**

### **CarPlay Interface Connection:**

1. Connect **24-pin** power plug from main harness to CarPlay module.
2. Connect **White** wire with **White** plug to receptacle labeled “**UART**” on CarPlay module.

### **Mounting CarPlay Interface:**

Secure CarPlay interface within the dash with few Velcro strips to prevent from rattling.

### **OEM USB Retainer:**

1. Disconnect **Grey** plug behind the radio, combine OEM **Grey** plug with provided plug.
2. Connect USB end of the provided USB retainer to the USB on the CarPlay module.
3. If you didn't purchase the USB retainer route USB wire from the CarPlay module anywhere you like, if extending use USB 3.0 cable only.

**Smartphone connection should be done last after EVERYTHING is setup.**

### **Operation:**

1. Select **AUX** as the source on the radio to hear audio from CarPlay.
2. Press and hold “**Phone Hang Up**” button on steering wheel for **3 - 5 seconds** to switch to Apple CarPlay / Android Auto on the screen.
3. Use touch screen to navigate thru user interface and CarPlay / Android auto.
4. Press and hold “**Phone Hang Up**” button on steering wheel for **3 - 5 seconds** to get back to OEM screen.

### **Touch Screen Calibration:**

1. If smartphone is connected screen can't be calibrated.
2. Make sure you are on the black screen with **four (4)** icons Music, CarPlay, Android Auto and Bluetooth.
3. Press and hold for **20 seconds** anywhere on the screen to initiate touch screen calibration.
4. Touching the + icons on the screen with index finger, do not use any other fingers.

### **External Joystick:**

1. Provided to scroll thru icons as this screen is unable to do so.
2. Disconnect **UART** plug and connect external joystick instead.

### **Wireless CarPlay:**

1. **Do not connect to Wi-Fi.**
2. Select “**Bluetooth**” icon on the vehicle's screen.
3. Follow on screen direction to connect Smartphone to CarPlay.

### **Android Auto:**

1. Select “**Bluetooth**” icon on the vehicle's screen.
2. Follow on screen direction to connect Smartphone to Android Auto.
3. Connect smartphone to USB using a USB C wire.